

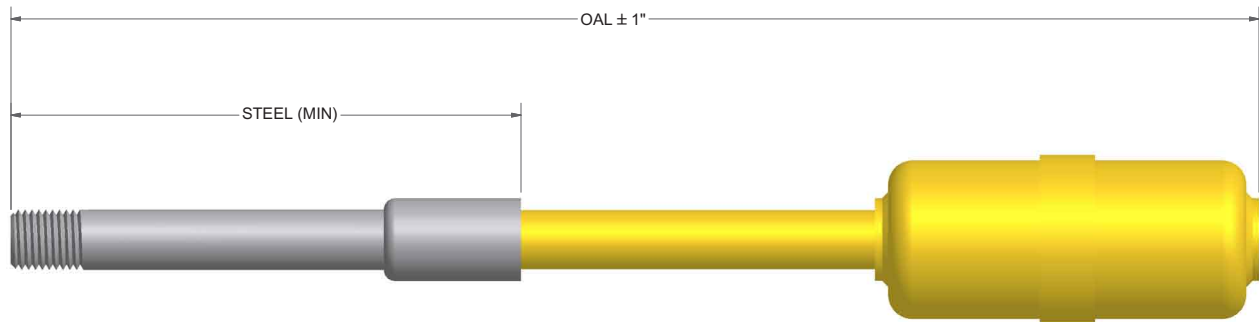
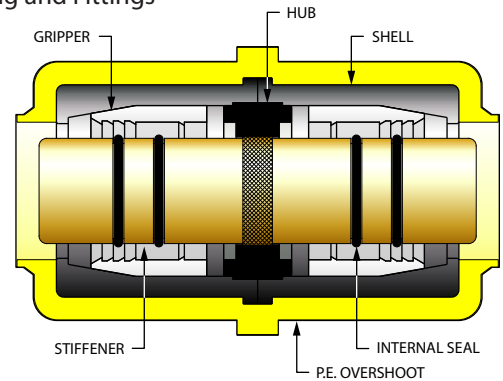
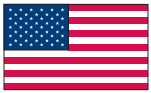


CONTINENTAL INDUSTRIES, INC.
 4102 South 74th East Avenue / Tulsa, Oklahoma 74145 / Phone 918-627-5210 / Fax 918-622-1275

CON-STAB ID SEAL® FITTINGS P.E. Stab x MPT Transition Fittings

The Con-Stab meets the following standards:

- ▶ ASTM D 2513 "Standard Specification for Thermoplastic Gas Pressure Pipe, Tubing and Fittings"
- ▶ ASME B31.8-1995 "Gas Transmission and Distribution Piping Systems"
- ▶ D.O.T., Title 49 of the Code of Federal Regulations, Part 192.283 (b)
- ▶ NFPA 58, LP-Gas Code and NFPA 54 National Fuel Gas Code
- ▶ CSA
- ▶ ICC – International Plumbing Code
- ▶ IAPMO – Uniform Plumbing Code
- ▶ First Stab Connector to be rated at 125 psi
- ▶ Continental is a ISO 9001 Certified Company
- ▶ Made in the USA



| STEEL SIZE (NPT) | P.E. SIZE | WALL | PART NUMBER (2406) | STEEL LENGTH | "OAL" |
|------------------|--------------------|---------------|--------------------|--------------|-----------|
| 1/2" | 1/2" CTS (5/8" OD) | .090 | 9932-00-0060-00 | 5" | 19 1/8" |
| 3/4" | 3/4" IPS | SDR-11 (.095) | 9932-00-0061-00 | 5" | 19 1/4" |
| 1" | 1" CTS (1 1/8" OD) | .099/.101 | 9932-00-0062-00 | 5" | 19 1/4" |
| 1" | 1" IPS | SDR-11 (.119) | 9932-00-0063-00 | 5" | 19 1/4" |
| 1 1/4" | 1 1/4" IPS | SDR-10 (.166) | 9932-00-0064-00 | 5 1/2" | 21 13/16" |
| 2" | 2" IPS | SDR-11 (.216) | 9932-00-0065-00 | 5 3/4" | 22 5/8" |

• Con-Stab ID Seal® fittings rated for 125 psig.

